

# THE CLEVELAND VIBRATOR COMPANY

HK Technologies, Inc.

Quality Industrial Vibrators and Vibratory Equipment since 1923



**C**leveland  
**V**ibrator  
**C**ompany

## **CVT Series Turbine Vibrators**

**Rugged Ductile Iron Bodies**

Four sizes currently available

- Directly interchangeable with ball vibrator models
- Low air consumption
- Produce less noise than ball vibrators
- Some models have more than *four times the force* at lower air pressures and with less air consumption than competing models
- Start and run at low inlet air pressures, some as low as 5 psi
- Permanently lubricated bearings—require no lubrication
- Longer life than ball vibrators
- Two models available for High Temperature applications

*Call sales for more information.*

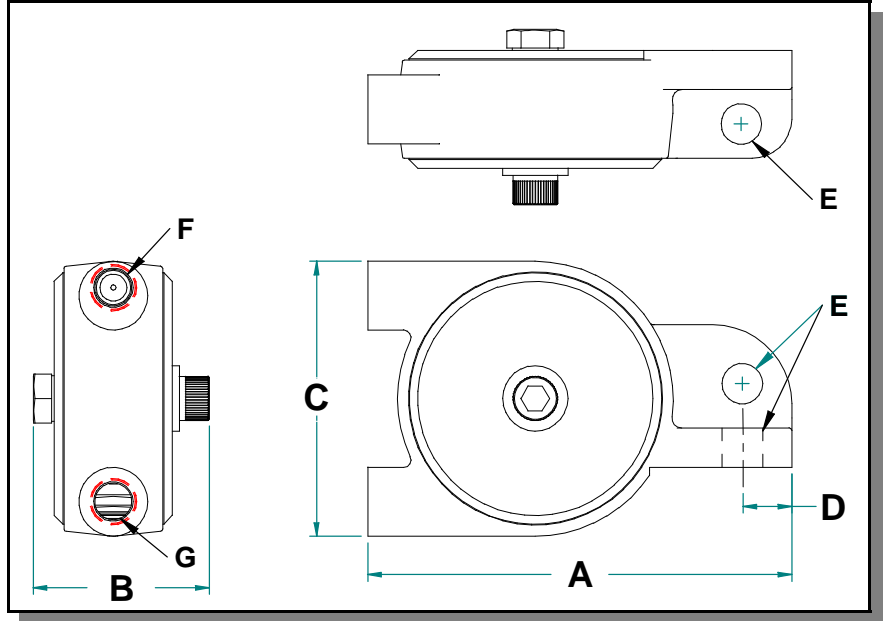
2828 CLINTON AVE. CLEVELAND, OH 44113

PHONE: (800) 221-3298 (216) 241-7157 FAX: (216) 241-3480

www.clevelandvibrator.com Email: sales@clevelandvibrator.com

**CVT Series Ductile Iron Bodied  
Turbine Vibrators - Models**

	-30 in/cm	-40 in/cm	-50 in/cm	-80 in/cm
A	3-1/8" 7.9	3-9/16" 9	4.0" 10.2	5-3/8" 13.7
B	1-1/4" 3.2	1-1/2" 3.8	1-5/8" 4.1	2-1/4" 5.7
C	1-3/4" 4.4	2-1/8" 5.4	2-1/2" 6.4	3-1/2" 8.9
D	7/16" 1.1	1/2" 1.3	5/8" 1.6	5/8" 1.6
E	5/16" 0.8	3/8" 0.9	3/8" 0.9	1/2" 1.3
F	1/8 NPT	1/8 NPT	1/4 NPT	1/4 NPT
G	1/8 NPT	1/4 NPT	1/4 NPT	1/4 NPT



**@ 20 psi/1.4 bar**

**@ 40 psi/2.8 bar**

**@ 60 psi/4.1 bar**

**@ 80 psi/5.5 bar**

Model	Wt. lbs/kg	UnBalance in-lbs cm-kg	@ 20 psi/1.4 bar			@ 40 psi/2.8 bar			@ 60 psi/4.1 bar			@ 80 psi/5.5 bar		
			Speed* vpm	Force lbf/N	Air Cnsmpt cfm/lpm	Speed* vpm	Force lbf/N	Air Cnsmpt cfm/lpm	Speed* vpm	Force lbf/N	Air Cnsmpt cfm/lpm	Speed* vpm	Force lbf/N	Air Cnsmpt cfm/lpm
CVT-30	.54/.25	0.013/.017	12060	54/239.8	1.1/30.7	14280	75.3/334.3	1.8/50.9	16650	102.4/454.7	2.5/69.8	16890	105.3/467.5	3.2/90.1
CVT-40	.9/.39	.029/.038	4500	17/75.5	1.3/33.3	7900	51/226.4	1.8/50.9	12100	121/537.2	2.5/69.8	15690	202.8/900.4	3.2/90.1
CVT-50	1.4/.62	.044/.052	3500	15/66.6	1.7/48.6	8970	101/448.4	2.8/80.2	12790	204/905.8	3.8/109.5	14560	265/1176.6	5.0/142.6
CVT-80	2.9/1.3	0.194/.229	1930	20.5/91.0	1.8/51.6	6135	207.4/920.9	2.9/82.1	8750	421.8/1872.8	4.0/113.5	10255	579.4/2572.5	5.2/147.9

\*Data for this table obtained on 1000 pound laboratory test block. Frequency of vibration and resulting force output will decrease on a less rigid structure or mount.

Ask about our line of **Acetal** (plastic) body turbines as well as our **High Temperature** turbines.



**THE CLEVELAND VIBRATOR COMPANY**

Quality Industrial Vibrators and Vibratory Equipment since 1923

2828 CLINTON AVE CLEVELAND, OH 44113

PHONE: (800) 221-3298 (216) 241-7157 FAX: (216) 241-3480

www.clevelandvibrator.com Email: sales@clevelandvibrator.com