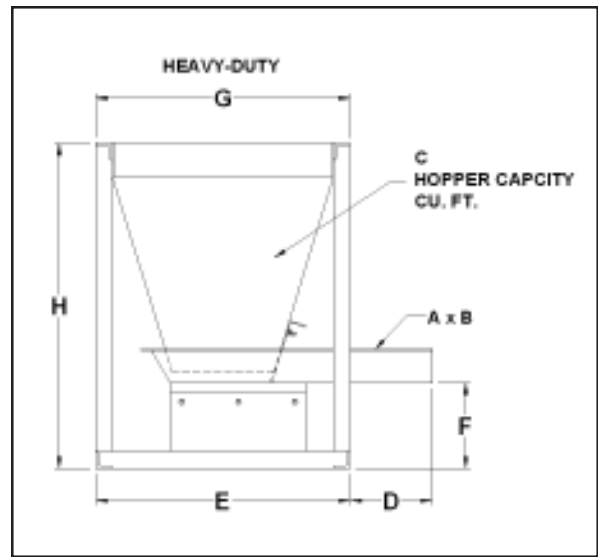
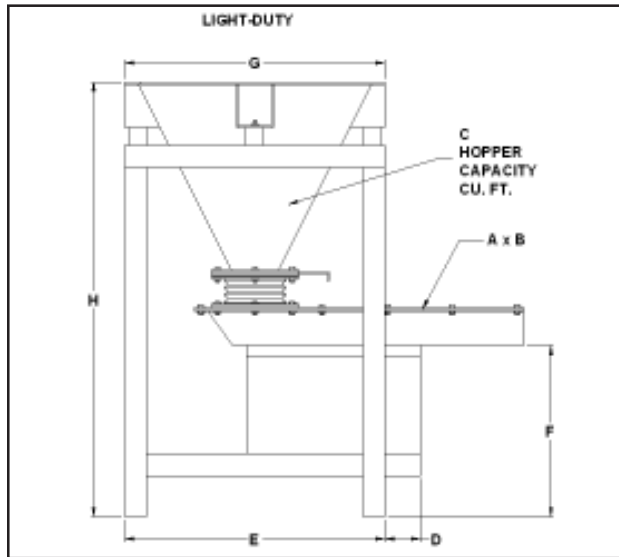


# THE CLEVELAND VIBRATOR CO.

Since 1923, manufacturing quality industrial vibrators and vibratory equipment



## VOLUMETRIC FEEDER AND SCREENER MACHINES



RFM-A SERIES		VOLUMETRIC FEEDER MACHINES							
MODEL	A TROUGH WIDTH	B TROUGH LENGTH	C	D	E	F	G	H	CAPACITY
RFM-A 216 Series	2	16	3/4	6	17	8	15 sq.	29	1250 lbs./hr
RFM-A 318 Series	3	18	1-1/4	8	17	8	19 sq.	35	2 tons/hr
RFM-A 524 Series	5	24	3	8	27	10	24 sq.	46	5 tons/hr
RFM-A 630 Series	6	30	3	17	27	14	27 sq.	45	8 tons/hr
RFM-A 1036 Series	10	36	18	10	41	17	36 sq.	59	30 tons/hr
RFM-A 1436 Series	14	36	40	5	56	24	48 sq.	72	30 tons/hr

\*Dimensions are in inches and capacities are based on air-powered units with standard flat tray. TPH based on 0° downslope and 100 lbs. per cubic ft. bulk density.

RSM-A SERIES		VOLUMETRIC SCREENER MACHINES						
MODEL	A TROUGH WIDTH	B TROUGH LENGTH	C	D	E	F	G	H
RSM-A 316 Series	3	16	1-1/2	6	17	6-1/4	15 sq.	30-1/4
RSM-A 420 Series	4	20	3	5-1/2	26	9-1/4	24-1/2 sq.	46
RSM-A 624 Series	6	24	3	8	27	19	24-1/2 sq.	56-1/2
RSM-A 830 Series	8	30	3	10-5/8	32	19	27 sq.	56-1/2
RSM-A 1236 Series	12	36	18	11-1/4	40	22	34 sq.	65
RSM-A 1842 Series	18	42	40	10	56	24-1/2	48 sq.	86-1/2
RSM-A 2448 Series	24	48	40	10	56	26-1/4	48 sq.	88-1/2

CLEVELAND VIBRATOR COMPANY  
2828 Clinton Avenue  
Cleveland, Ohio 44113



Phone: 216-241-7157  
phone: 1-(800) 221-3298  
Fax: 216-241-3480  
Email: [sales@clevelandvibrator.com](mailto:sales@clevelandvibrator.com)